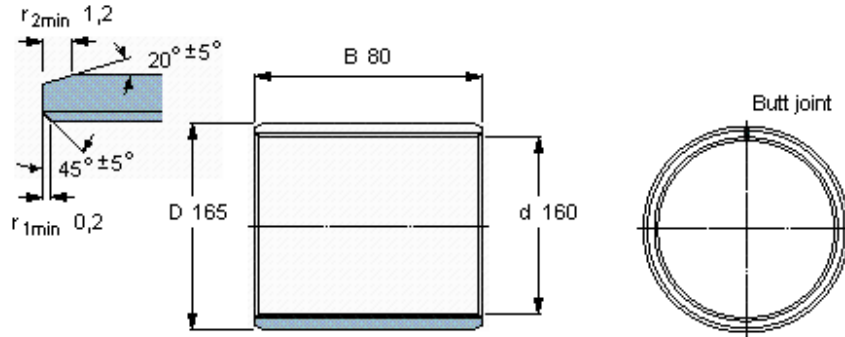


Composite dry sliding bushings, metric dimensions

Principal dimensions			Basic load ratings		Mass	Designation
d	D	B	dynamic C	static C0	kg	-
mm			kN			
<b>160</b>	165	80	1000	3150	0,78	PCM 16016580 E



**Specific load factor** K 80  
**Material constant**  $K_M$  480